



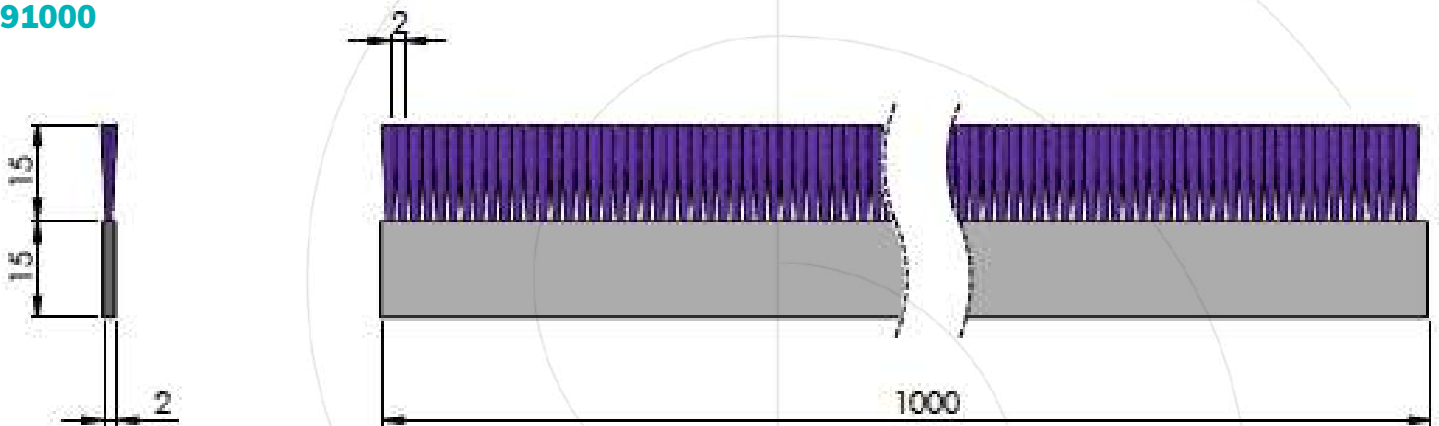
ANTISTATIC BRUSHES

Sacema's antistatic brushes have been developed to dissipate static charges that can cause various problems. These charges, which are generated by contact or friction between parts, are discharged by the very fine fibres of these brushes, made of carbon fibre or stainless steel (even ostrich feather).

Fiber materials

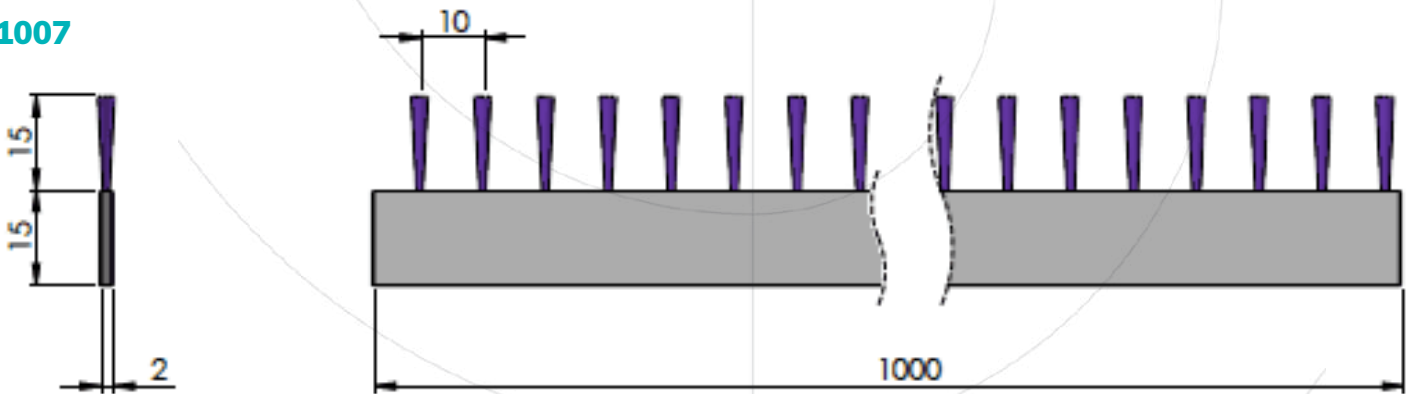
Anti-static brush with braided stainless steel fibres

291000



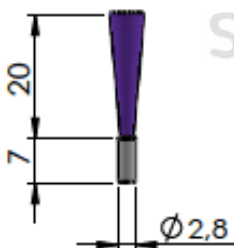
Antistatic carbon fibre brush

291007



Antistatic carbon fibre tufts

291006



Sacema

Check the update
of the Anti-Static
Industrial Brush



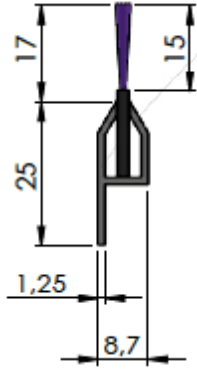
Last updated: 23 March 2023

*These documents are the exclusive property of Cepillos Sacema, S.L. Their total or partial reproduction without our written authorisation is prohibited, as well as their improper use and/or exhibition to third parties.

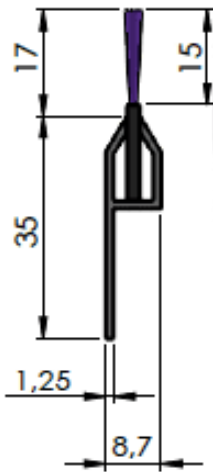


ANTISTATIC BRUSHES

H Profile

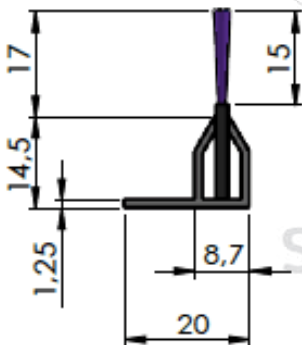


Fibre material	Code
Carbon fibre	291008
Braided stainless steel	291001



Fibre material	Code
Carbon fibre	291009
Braided stainless steel	291002

F Profile



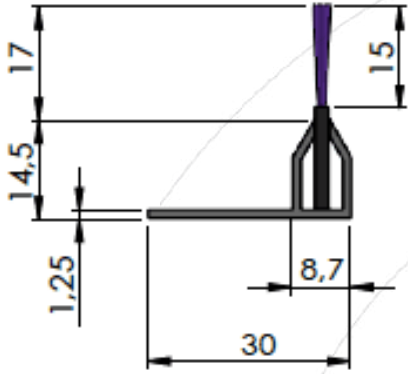
Fibre material	Code
Carbon fibre	291010
Braided stainless steel	291003

Last updated: 23 March 2023

*These documents are the exclusive property of Cepillos Sacema, S.L. Their total or partial reproduction without our written authorisation is prohibited, as well as their improper use and/or exhibition to third parties.

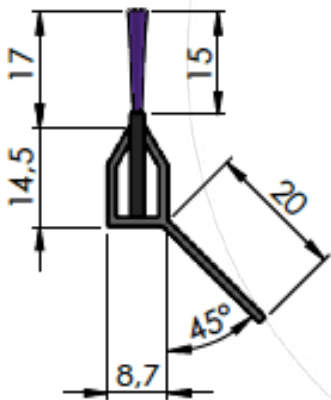


ANTISTATIC BRUSHES



Fibre material	Code
Carbon fibre	291011
Braided stainless steel	291004

Y Profile



Fibre material	Code
Carbon fibre	291012
Braided stainless steel	291005



Last updated: 23 March 2023

*These documents are the exclusive property of Cepillos Sacema, S.L. Their total or partial reproduction without our written authorisation is prohibited, as well as their improper use and/or exhibition to third parties.