



SOLAR PANEL CLEANER

The Solar Panel Cleaner for tractor attachment incorporates a hydraulic arm with 5 degrees of freedom, modular industrial brush, water storage and spray tank for wet cleaning, viewing cameras on the brush and optionally, the tractor, and proximity beeper sensors.



Features

- Modular brushes of 2, 3, 4 or 5 m.
- Joystick to control the equipment.
- Attachable to the tractor with three points at the front or rear, category II or III.
- 5 degrees of hydraulic freedom.

- Does not support weight on the panel.
- The brush absorbs gaps, antennas and panel support elements.
- 4 viewing cameras: 2 in the brush, 1 in the cab and 1 in the tank, with a screen installed in the cab.
- 2 proximity sensors on the brush

5 hydraulic movements:

- 1st movement is the rotating ring to orientate the arm, from -90° to $+90^\circ$.
- 2nd and 3rd movements to zoom in, zoom out, zoom in and zoom out.
- 4th movement, additional 90° to the right (developing from -90° to $+90^\circ$).
- 5th roller for brushing.



Sacema

See the update
of the Solar Panel
Cleaner



Last updated: 4 March 2022

*These documents are the exclusive property of Cepillos Sacema, S.L. Their total or partial reproduction without our written authorisation is prohibited, as well as their improper use and/or exhibition to third parties.



SOLAR PANEL CLEANER



Technical Data

- Made of carbon steel, ground, primed and painted.
- Hydraulic arm with 5 movements.
- 5000 panels/hour (for a 4 metre brush, cleaning 2x1m panels at 2.5 km/hour).
- Storage tank of 1000, 1500 or 2000 litres.
- IP67 viewing chambers.
- Transparent plastic cover with UV protection.



Table of theoretical yields (solar panels/hour)

Tractor speed	0.5 km/hour	1 km/hour	1.5 km/hour	2 km/hour	2.5 km/hour
Brush type					
2 metres	500	1000	1500	2000	2500
3 metres	750	1500	2250	3000	3750
4 metres	1000	2000	3000	4000	5000
5 metres	1250	2500	3750	5000	6250

Last updated: 4 March 2022

*These documents are the exclusive property of Cepillos Sacema, S.L. Their total or partial reproduction without our written authorisation is prohibited, as well as their improper use and/or exhibition to third parties.



SOLAR PANEL CLEANER

Delivery

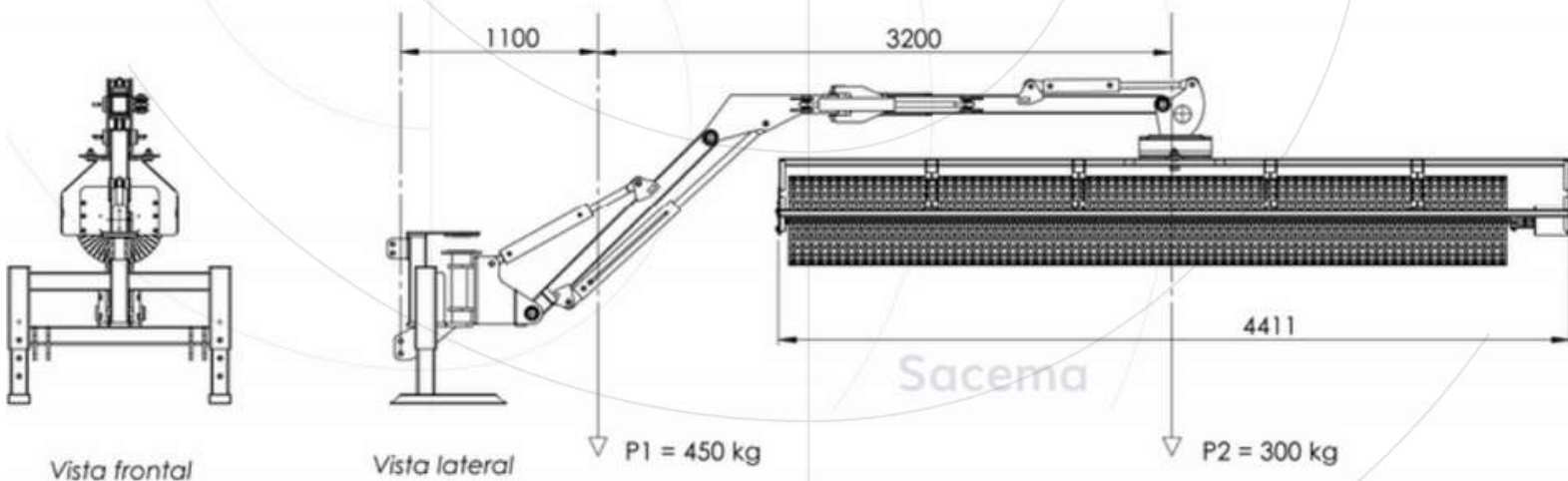
- Joystick, displays and electric box are optionally installed in the customer's tractor cab, optionally at the customer's premises.
- Optional supply of the complete system (brush + boom + tractor + water equipment).
- Optional tripod stabilizer.

To be defined

- Front or rear three-point hitch, category 2 or 3.
- Volume of the water tank and whether it is towed or hung.
- Working width of the brush.
- Tractor type, which must ensure that it has working capacity and stability for the cleaning equipment.



Weight distribution

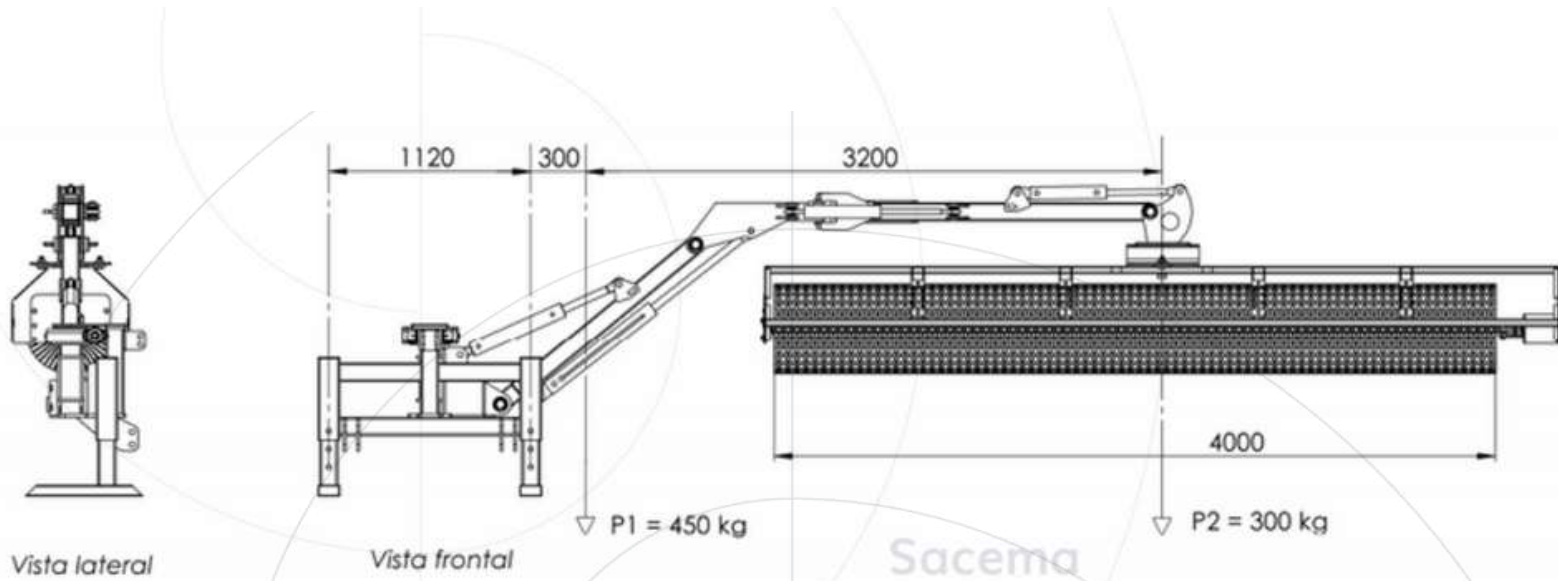


Last updated: 4 March 2022

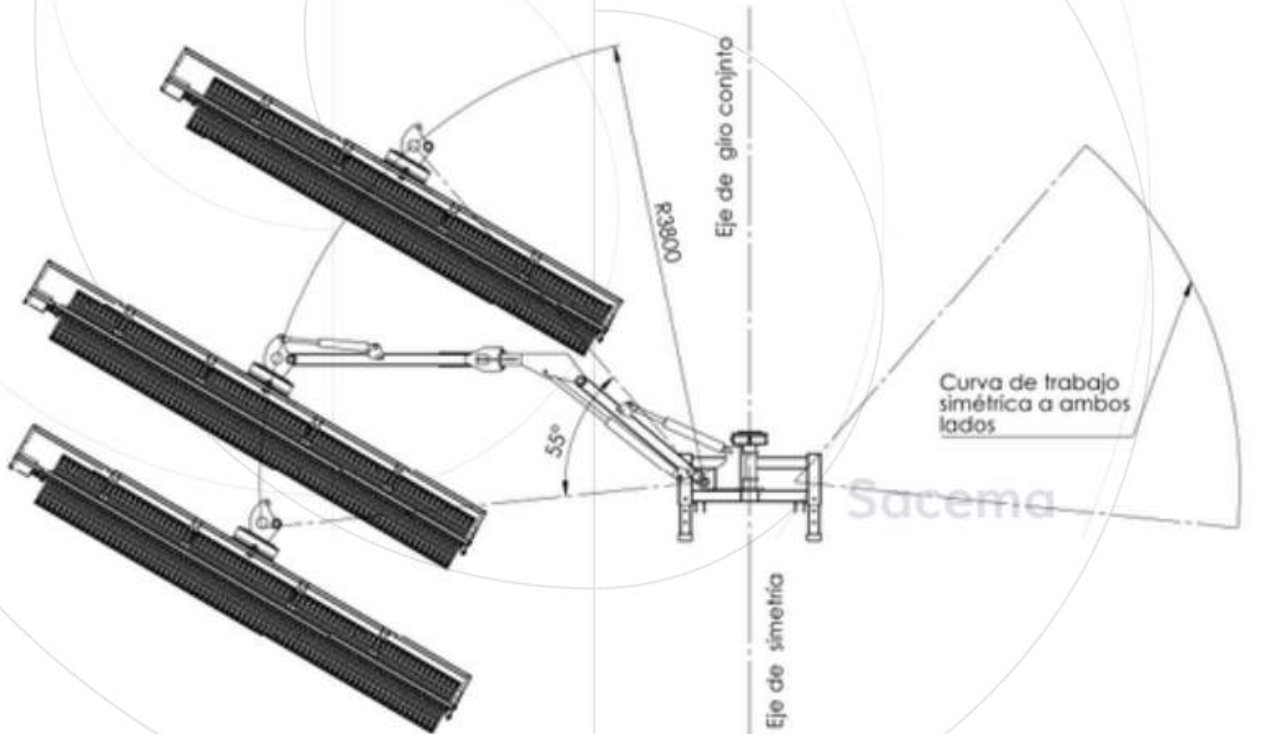
*These documents are the exclusive property of Cepillos Sacema, S.L. Their total or partial reproduction without our written authorisation is prohibited, as well as their improper use and/or exhibition to third parties.



SOLAR PANEL CLEANER



Working curves



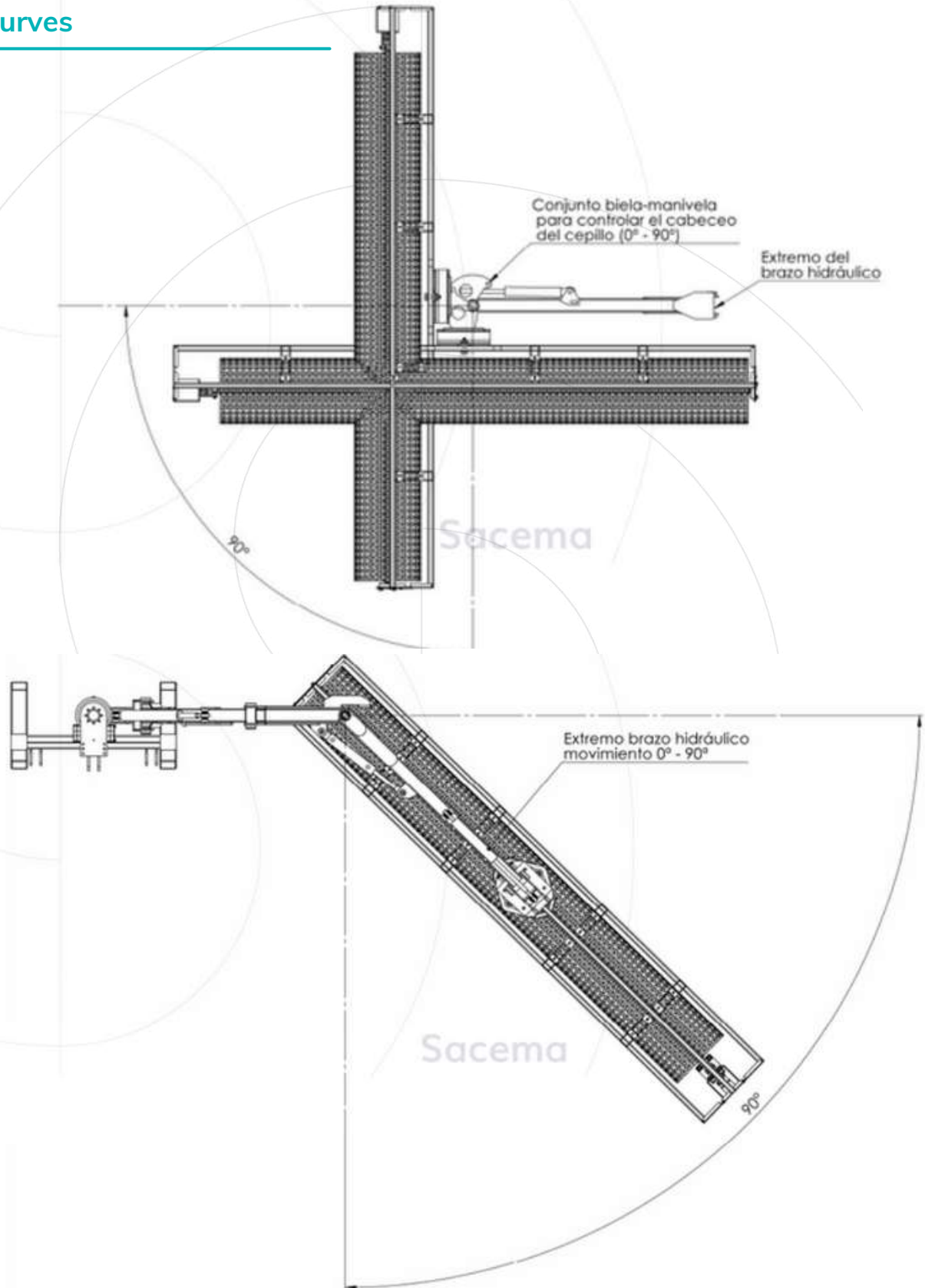
Last updated: 4 March 2022

*These documents are the exclusive property of Cepillos Sacema, S.L. Their total or partial reproduction without our written authorisation is prohibited, as well as their improper use and/or exhibition to third parties.



SOLAR PANEL CLEANER

Working curves



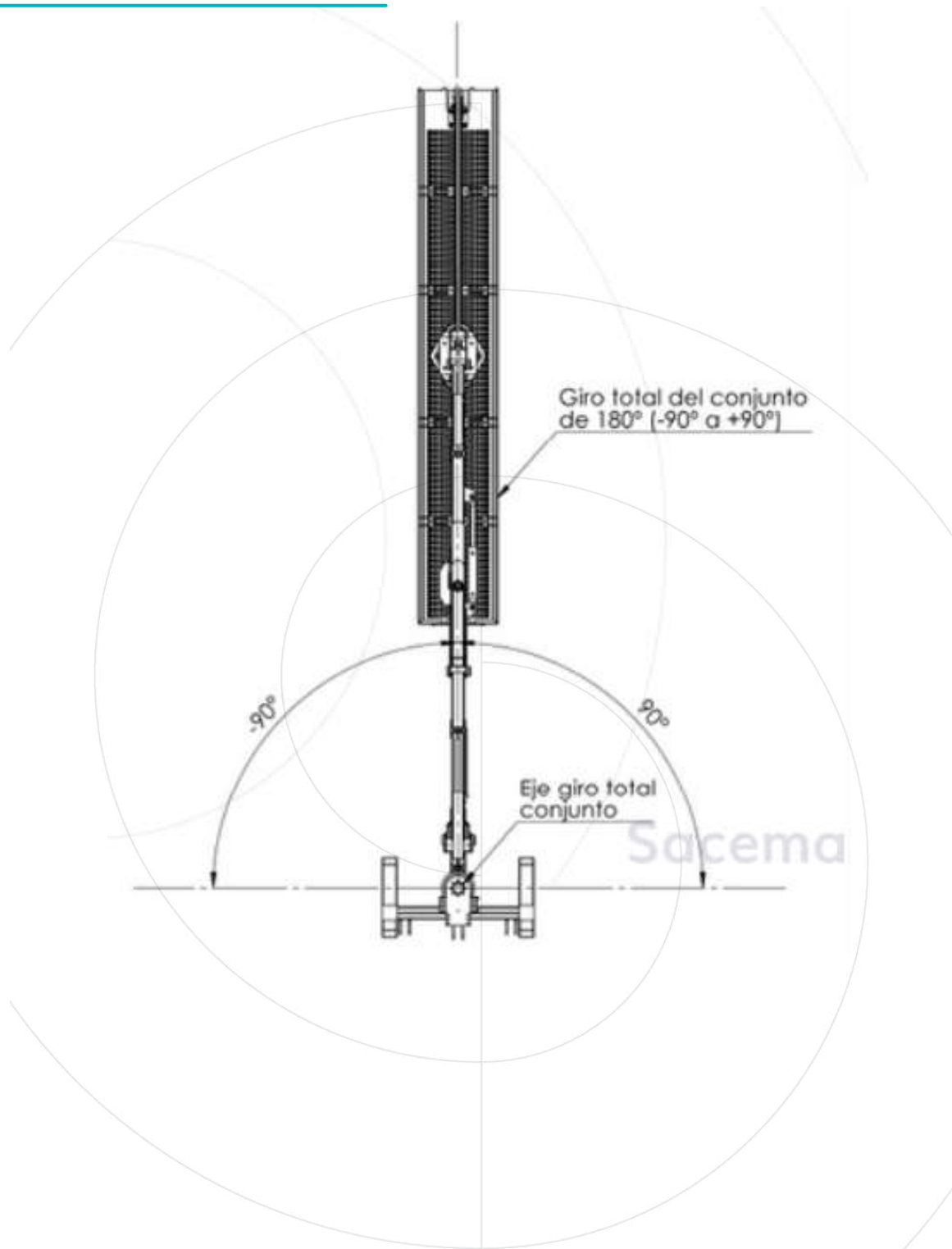
Last updated: 4 March 2022

*These documents are the exclusive property of Cepillos Sacema, S.L. Their total or partial reproduction without our written authorisation is prohibited, as well as their improper use and/or exhibition to third parties.



SOLAR PANEL CLEANER

Working curves



Sacema

Last updated: 4 March 2022

*These documents are the exclusive property of Cepillos Sacema, S.L. Their total or partial reproduction without our written authorisation is prohibited, as well as their improper use and/or exhibition to third parties.

Sacema

Contact: sacemagroup.com
+34 984 06 80 80 - info@sacema.es