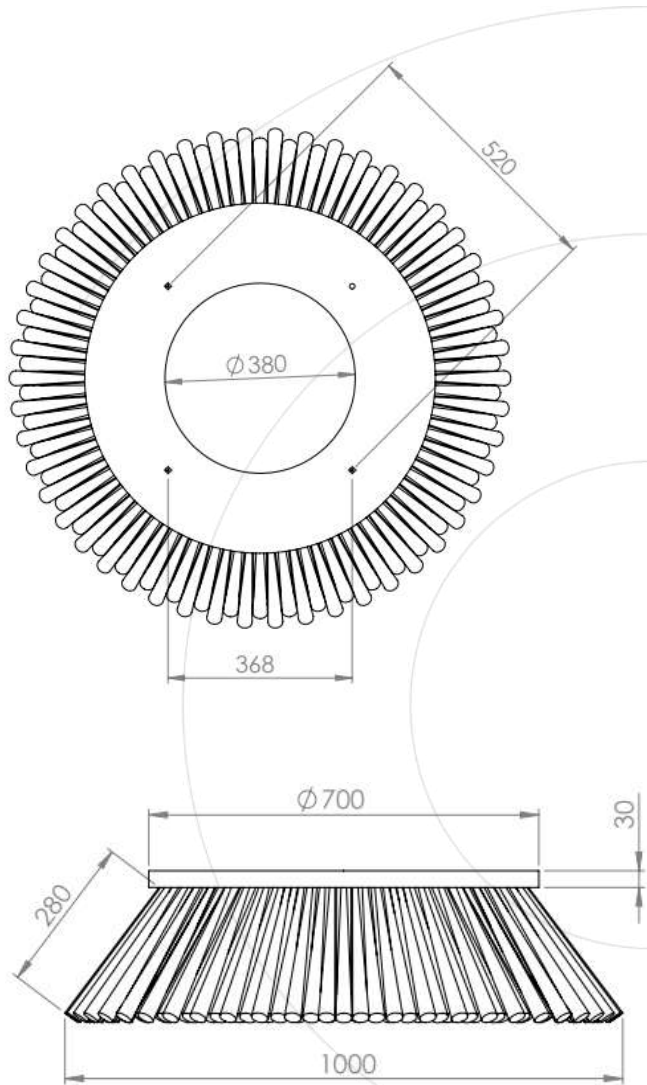
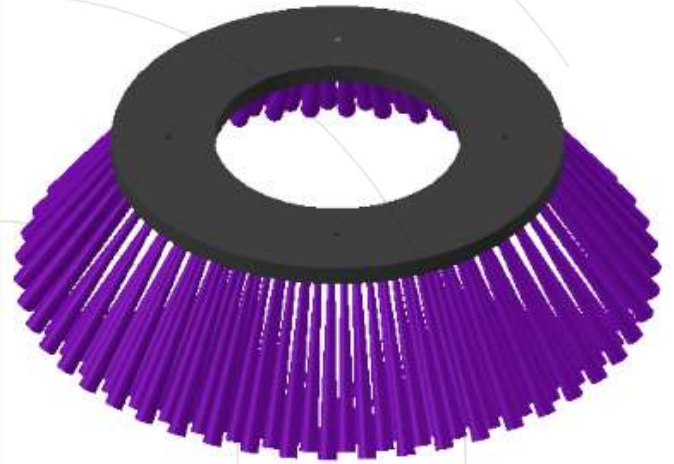




SIDE BRUSH JOHNSTON CN400 700X380



See the update
of the side brushes



	Sweeping material		
	PPL	PPL+STEEL	STEEL
Code	7097	4111	7098
Number of rows	4		
Supported machines	Johnston CN400		
Types of manufacture	Inserted from below		

Last update: 1 June 2021

*These documents are the exclusive property of Cepillos Sacema, S.L. Their total or partial reproduction without our written authorisation is prohibited, as well as their improper use and/or exhibition to third parties. Subject to errors and technical modifications.