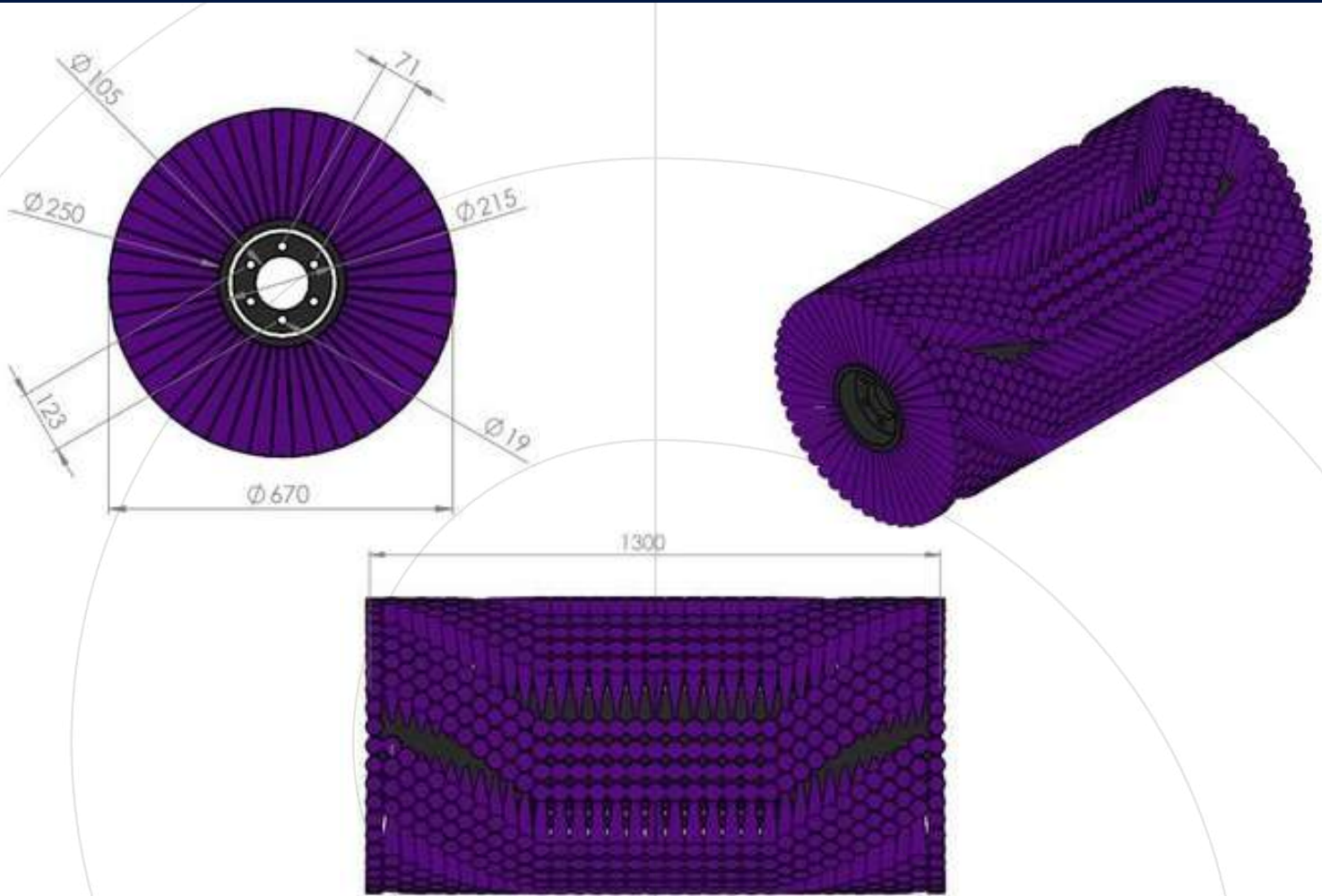




CENTRAL BRUSH DULEVO 5000 STANDARD U



	Sweep material	
	PPL	PPL+STEEL
Code	3812	3809
Filament section	3x2 mm	PPL: 3x2 Steel rod 0,7 mm
Compatible machines	DULEVO 5000	
Drag and Offset	Offset 1: 65 mm; Offset 2: 2,75 mm	

See the
update of
Roller Brushes



Last updated: October 7, 2021

*These documents are the exclusive property of Cepillos Sacema, S.L. Their total or partial reproduction without our written authorization is forbidden, as well as their improper use and/or exhibition to third parties. Subject to errors and technical modifications.