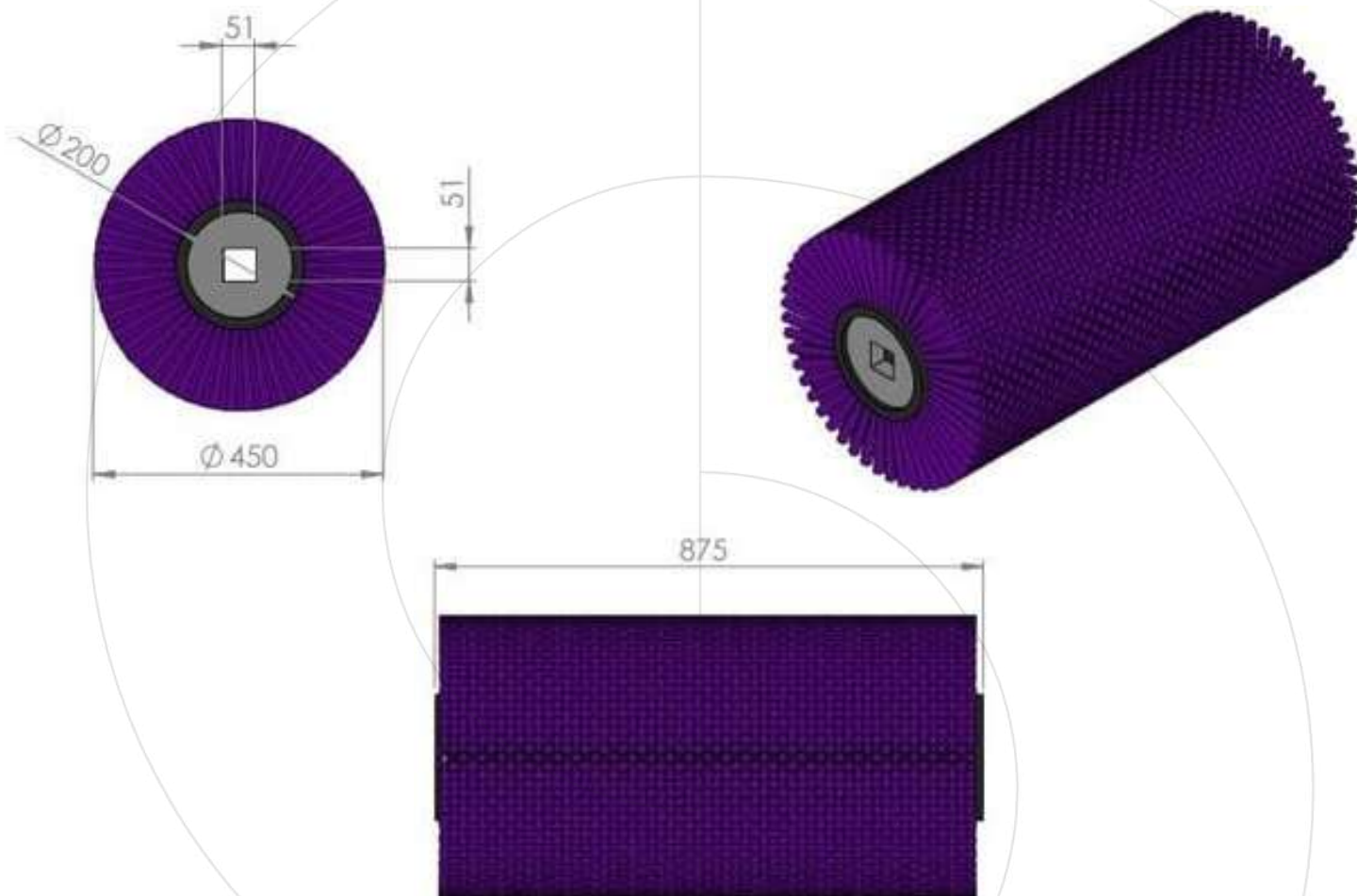




ROLLER BRUSH AUSA B120 PPL+STEEL SQUARE FLANGE



	Sweep material
	PPL+STEEL
Code	3783
Filament section	PPL: 1,5X2,5 mm Corrugated steel wire 0,7 mm
Compatible machines	AUSA 120 RMB
Drag and Offset	Square flange Offset 1: 70 mm; Offset 2: 10 mm

See the
update of
Roller Brushes



Last updated: October 7, 2021

*These documents are the exclusive property of Cepillos Sacema, S.L. Their total or partial reproduction without our written authorization is forbidden, as well as their improper use and/or exhibition to third parties. Subject to errors and technical modifications.

Sacema

Contact: www.sacemagroup.com
+34 984 06 80 80 - info@sacema.es