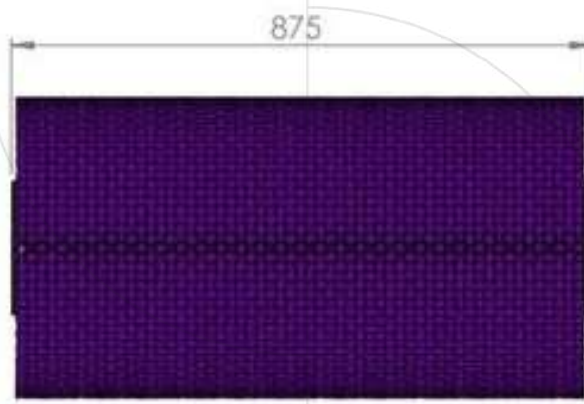
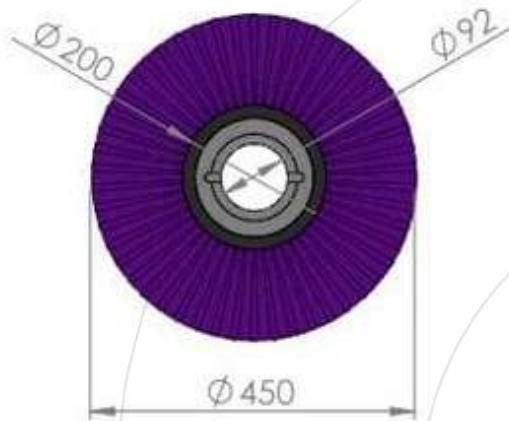




ROLLER BRUSH AUSA B120 PPL+STEEL PLATEN FLANGE



| | Sweep material |
|----------------------------|---|
| | PPL+STEEL |
| Code | 3785 |
| Filament section | PPL: 1,5X2,5 mm Corrugated steel wire 0,7 mm |
| Compatible machines | AUSA 120 RMB |
| Drag and Offset | Platen Flange No offsets |

See the
update of
Roller Brushes



Last updated: October 7, 2021

*These documents are the exclusive property of Cepillos Sacema, S.L. Their total or partial reproduction without our written authorization is forbidden, as well as their improper use and/or exhibition to third parties. Subject to errors and technical modifications.