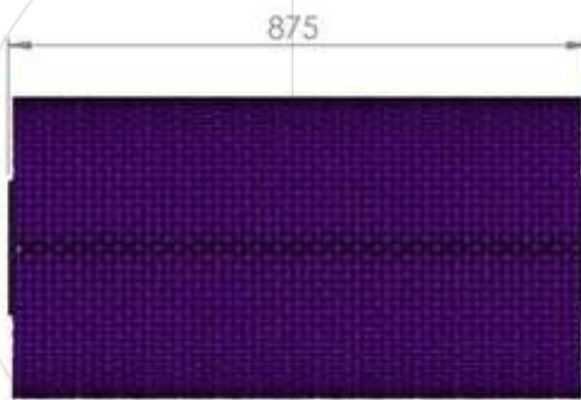
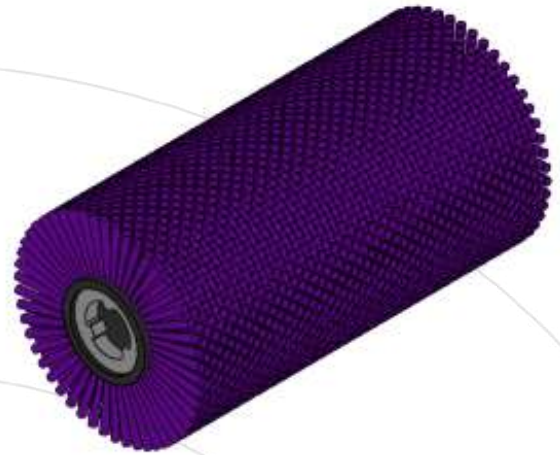
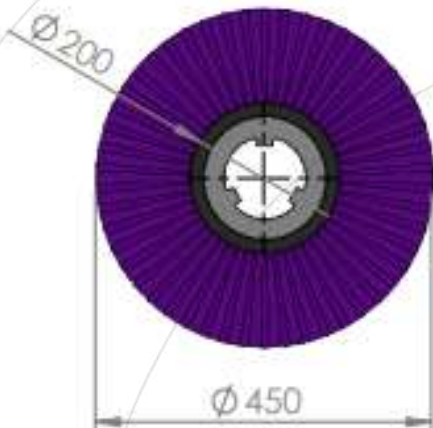




# ROLLER BRUSH AUSA B120 PPL+STEEL OVAL 3 POINT FLANGE



	<b>Sweep material</b>
	<b>PPL+STEEL</b>
<b>Code</b>	3784
<b>Filament section</b>	PPL: 1,5X2,5 mm Corrugated steel wire 0,7 mm
<b>Compatible machines</b>	AUSA 120 RMB
<b>Drag and Offset</b>	Platen Flange Offset 1: 70 mm; Offset2: 10 mm

See the  
update of  
Roller Brushes



Last updated: October 7, 2021

\*These documents are the exclusive property of Cepillos Sacema, S.L. Their total or partial reproduction without our written authorization is forbidden, as well as their improper use and/or exhibition to third parties. Subject to errors and technical modifications.