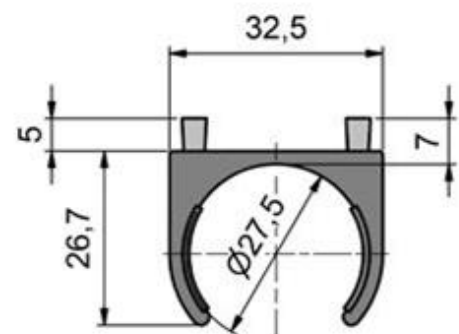


Protection and support brushes

Guard-System

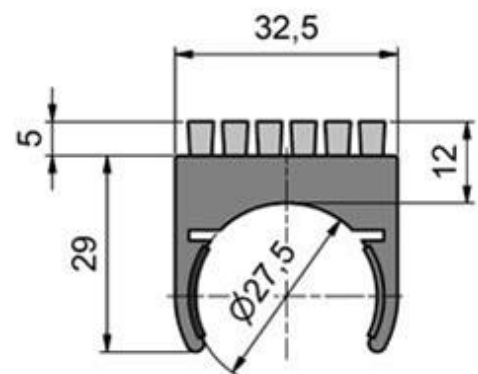
For the manufacture of tubular frames, work stations and storage and transport systems for delicate parts.



All dimensions in mm

Open

Body material	Body color	Bristle material	Bristle color	Bristle diameter	Bristle length (FH)	Body length
Polyvinyl chloride (PVC)	Grey	Polyamide 6 (PA6)	black/smooth	0,10	5	40
			blue/smooth	0,20		
			red/smooth	0,30		



All dimensions in mm

Dense

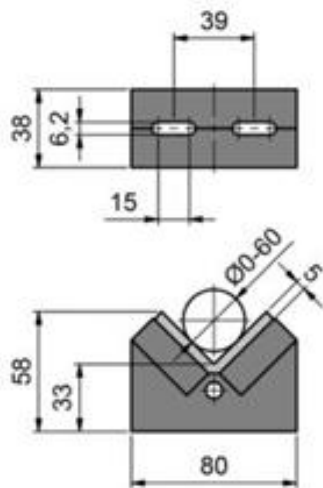
Body material	Body color	Bristle material	Bristle color	Bristle diameter	Bristle length (FH)	Body length
Polyvinyl chloride (PVC)	Grey	Polyamide 6 (PA6)	blue/smooth	0,20	5	40
			red/smooth	0,30		
			black/smooth	0,40		

Prism-System

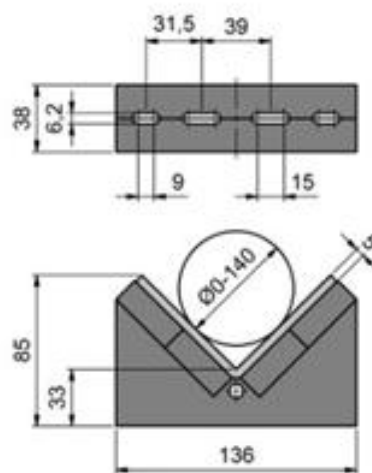
Industrial brushe system for protection and support of delicate parts by means of a seat in prisms.

Prism - 60

Body material	Body color	Bristle material	Bristle color	Shaft diameter	Bristle diameter	Bristle length (FH)	Body length
Acrylonitrile butadiene-styrene copolymer (ABS)	Grey	Polyamide 6 (PA6)	black/smooth	0-60	0,10	5	80
					0,20		
					0,30		
					0,40		



All dimensions in mm



All dimensions in mm

Prism - 140

Body material	Body color	Bristle material	Bristle color	Shaft diameter	Bristle diameter	Bristle length (FH)	Body length
Acrylonitrile butadiene-styrene copolymer (ABS)	Grey	Polyamide 6 (PA6)	black/smooth	0-140	0,10	5	136
					0,20		
					0,30		
					0,40		

Replacement

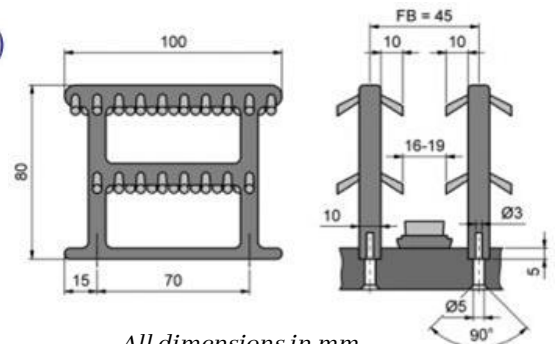
Body material	Body color	Bristle material	Bristle color	Bristle diameter	Bristle length (FH)
Polyvinyl chloride (PVC)	Grey	Polyamide 6 (PA6)	black/smooth	0,10	5
				0,20	
				0,30	
				0,40	

Transport-System

Set of solutions for the transport, fixing and support of all kinds of parts.

Rear wall attachment

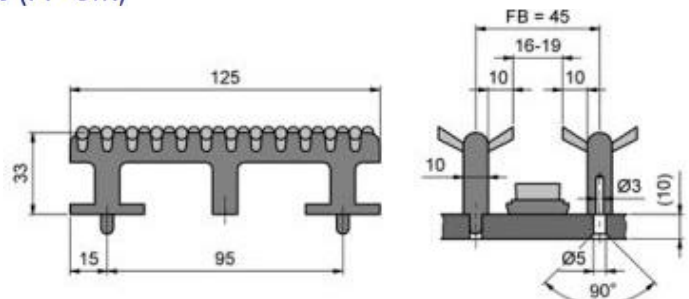
Body material	Polypropylene + 20% glass fibre (PP-GfK)
Body color	Black
Bristle material	Polyamide 6 (PA6)
Bristle color	Red
Bristle diameter	0,30
Bristle length (FH)	10



All dimensions in mm

Floor attachment

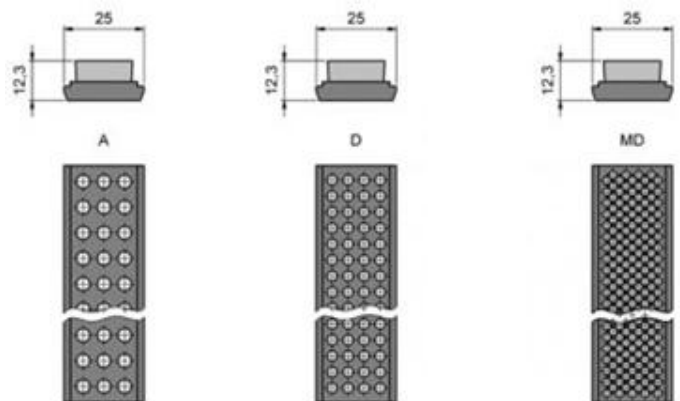
Body material	Polypropylene + 20% glass fibre (PP-GfK)
Body color	Black
Bristle material	Polyamide 6 (PA6)
Bristle color	Red
Bristle diameter	0,20
Bristle length (FH)	10



All dimensions in mm

Floor placement

Body material	Polypropylene (PP)
Body color	Black
Bristle material	Polyamide 6 (PA6)
Bristle color	Red
Bristle diameter	0,20
Bristle length (FH)	6,50



Aflojado

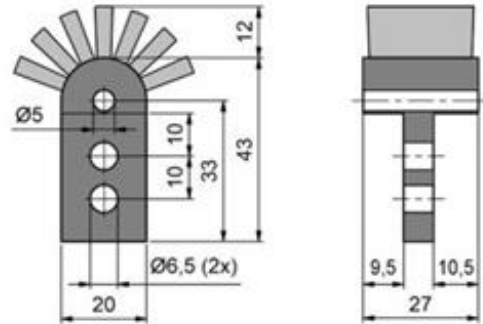
Estanco

Máxima estanqueidad

All dimensions in mm

Front edge protection

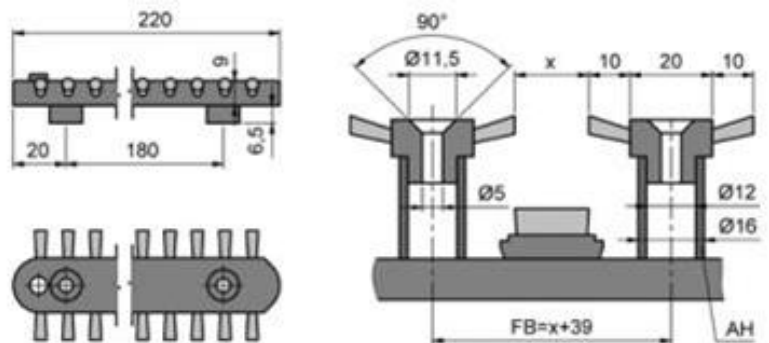
Body material	Polypropylene + 20% glass fibre (PP-GfK)
Body color	Black
Bristle material	Polyamide 6 (PA6)
Bristle color	Red/smooth
Bristle diameter	0,30
Bristle length (FH)	12



Wall and floor fitting (small)

All dimensions in mm

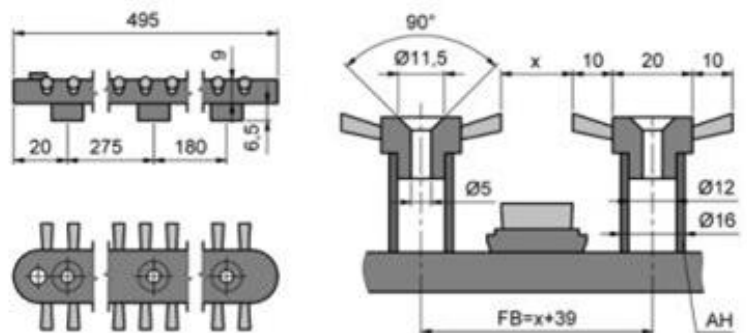
Body material	Polypropylene + 20% glass fibre (PP-GfK)
Body color	Black
Bristle material	Polyamide 6 (PA6)
Bristle color	Red/smooth
Bristle diameter	0,20
Bristle length (FH)	10



All dimensions in mm

Wall and floor fitting (long)

Body material	Polypropylene + 20% glass fibre (PP-GfK)
Body color	Black
Bristle material	Polyamide 6 (PA6)
Bristle color	Red/smooth
Bristle diameter	0,20
Bristle length (FH)	10



All dimensions in mm

U-System

An industrial brush for protection with a special U-shape. Strands are inserted to it on both sides to avoid damage to the parts during storage and positioning.

Body material	Body color	Bristle material	Bristle color	Bristle diameter	Bristle length (FH)	Body length
Polypropylene (PP)	Black	Polypropylene (PP)	grey/smooth	0,10	5	75/120/190
			red/smooth	0,20	5	
					10	
			black/smooth	0,30	10	

