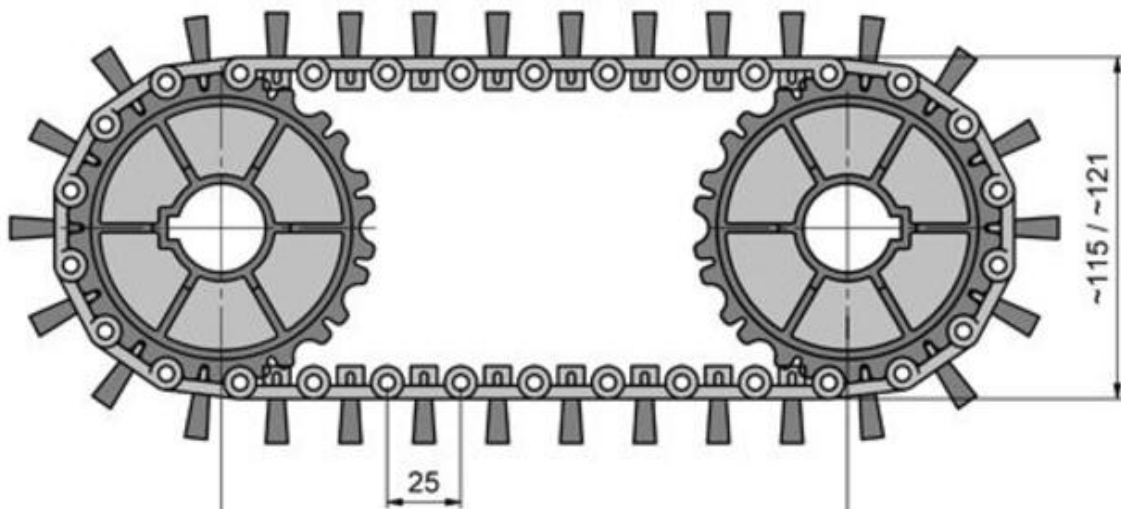


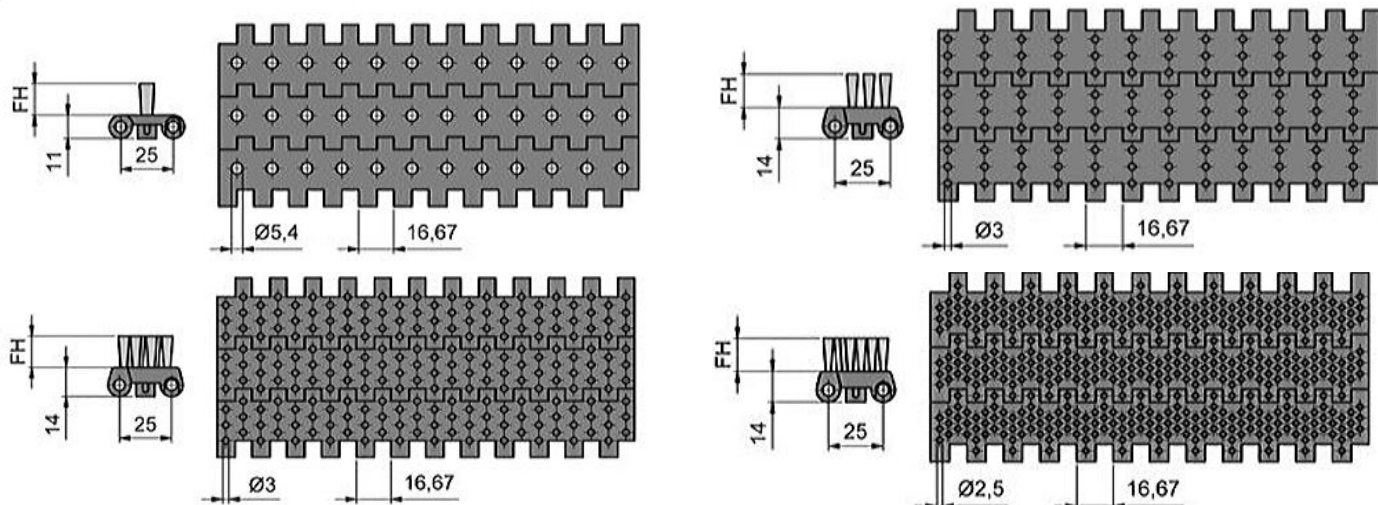
Conveyor Belt Brushes Systems

Conveyor Belt Brushes Systems Alfa

This system is an alternative to traditional conveyor belts. Prevents damage in the transport of delicate pieces and reduces noise, in addition to being modular, if it suffers any damage you just have to change the damaged module, it is an optimal solution economically and technically.

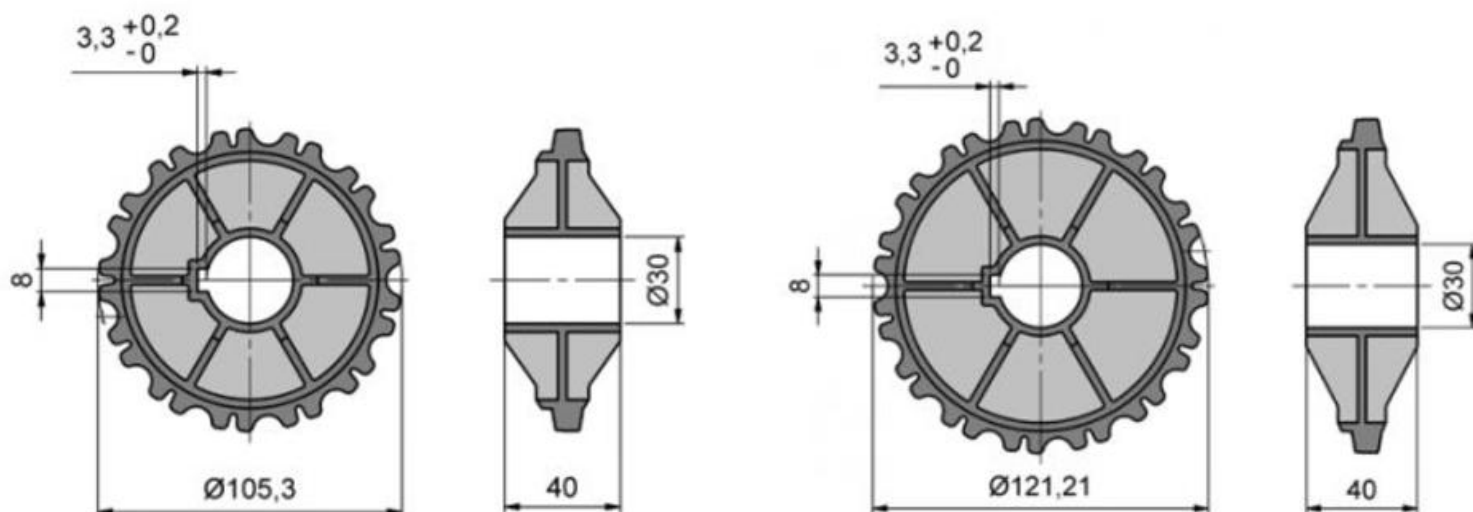
The brush modules measure 25 mm long (width of the belt to be defined and can be defined with 1, 3, 6 and 9 rows.)
The gears can be of 13 or 15 teeth





To budget, it is necessary to define:

- Rows per module
- Piñón of 13 or 15 teeth
- Distance between axes of the pinions
- Necessary width of the band (standard 100,200,300, ..., 1900, 2000 mm)

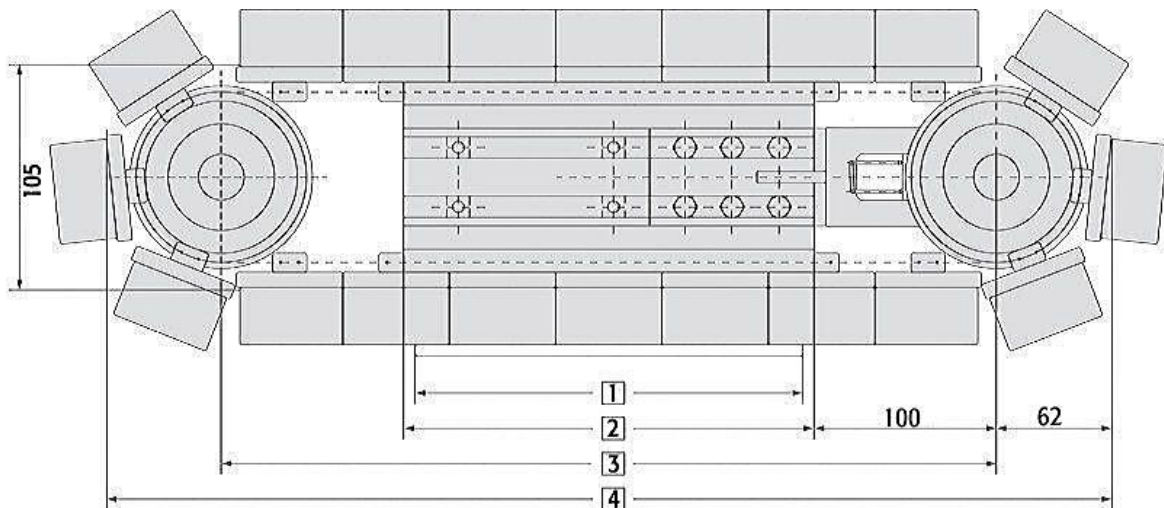
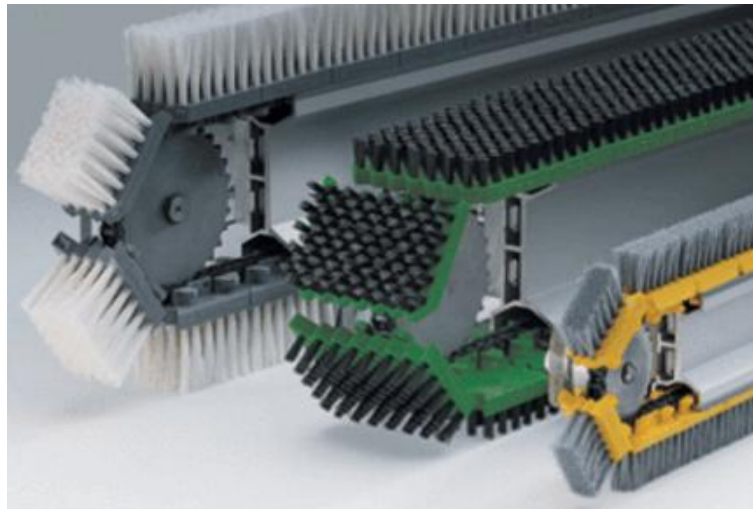


Belt Brushes System Omega

This system, made up of a small number of optimal components to make it efficient and economical, makes it possible to build brushes with high added value. One of its main uses is the transversal cleaning of conveyor belts. It is used as an alternative to cylindrical brushes and traditional belt brushes.

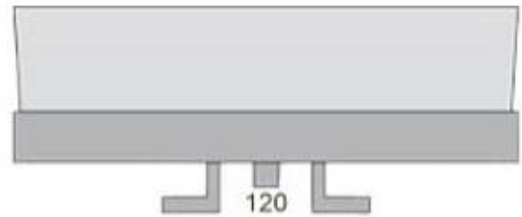
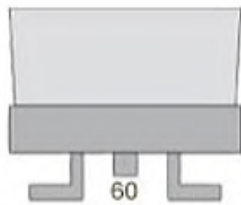
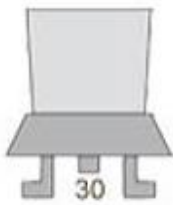
And the components are:

- Modules of omega brush
- Toothed wheel for chain
- Roller chain
- Guide C with sliding profile
- Cylindrical nuts with notches
- Closing chain
- Chain tensioner



To budget, it is necessary to define the necessary effective working width (1) between 200 and 29,990 mm

Width of available modules: 30, 60 and 120 mm.



Its construction is simple guaranteeing its good operation, with a system of assembly and reequipped very fast.

