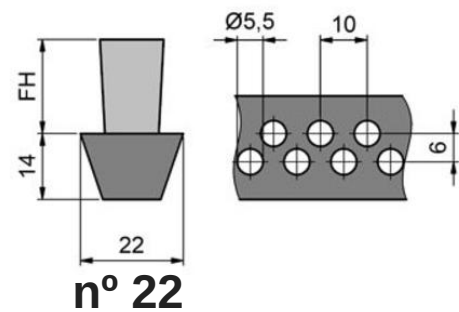
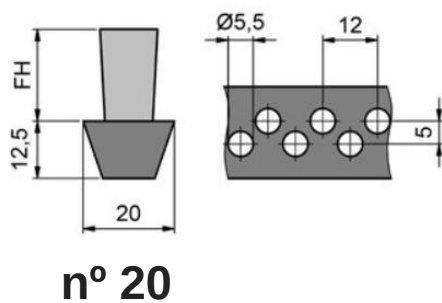
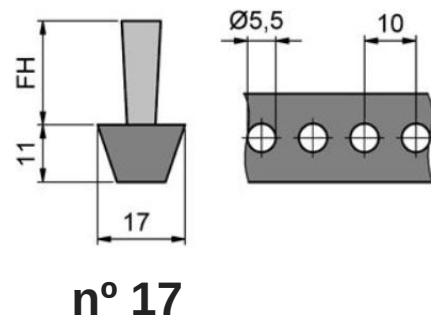
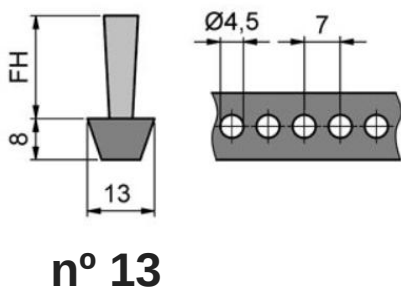
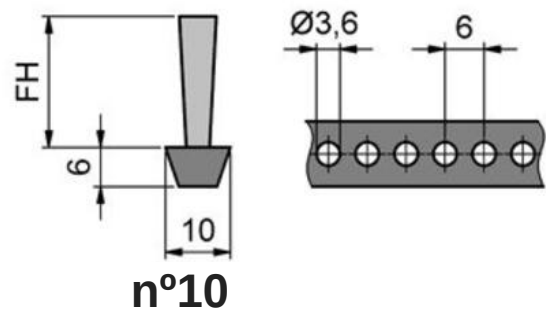
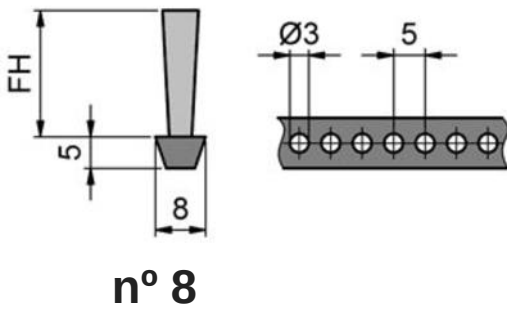
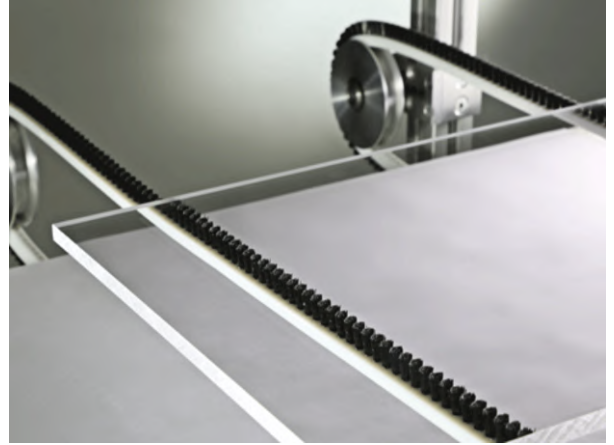


Belt Brushes

Vee-belt brushes

This is an effective solution when there is little space available for the mounting. It can serve as a free-end belt (open) or as an endless belt (closed).

Available with different thicknesses and number of rows.



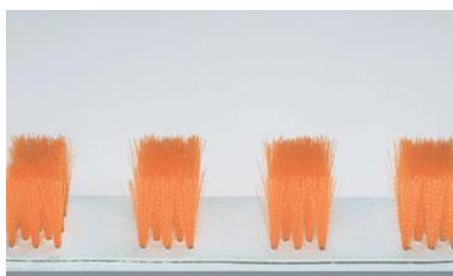
Flat-belt brushes

These brushes are made with a combination of materials suitable for all environmental conditions.

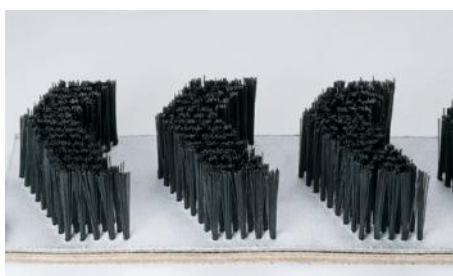
The chrome leather strap gets in contact with the pulley, then it has an inner polyamide lining that is covered with an additional protective layer. They are suitable for cleaning oils, greases, chemicals, dirt and moisture.

Like the Vee-belts, these are also supplied open or closed, with different belt widths to choose from 25 to 200 mm.

Body material	Body color	Bristle material	Bristle color	Bristle diameter	Bristle length (FH)	Belt width (A)	Type of belt
Chrome leather with polyamide inlay (CRL)	leather	Pig bristle	grey	0,10	10	25	endless / open-ended
		Horsehair	black		15	50	
		Goat hair	white		20	75	
		Polypropylane	black / smooth	0,20	25	100	
		Polymade 6	black / smooth	0,30	30	120	
		Polymade 6	transparent / smooth	0,35	35	140	
		Polymade 6.10	transparent / smooth	0,40	40	160	
		Polymade 6.10	transparent / smooth	0,50	50	180	
Polyester	transparent / smooth	0,60	60	200			



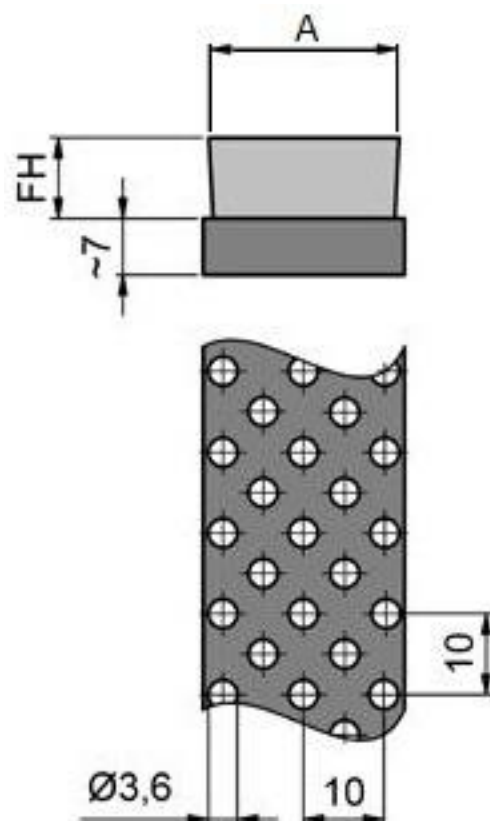
Segmented distribution



Arrow distribution



Distribution at different levels



Toothed-belt brushes

These brushes fulfill the same function as the Vee-belts and Flat-belts, however they are especially relevant when the work has to be synchronized, the rigorous positioning or when the diameter of the pulley has to be small. These polyurethane timing belt compounds with studs for fiber insertion. Vmaximum 6 m/s

