



SPIRAL STRIP BRUSHES

The spiral strip brush is a classic straight strip brush which is given a spiral shape. The arrangement of the fibres can be outwards or inwards. The spirals can be supplied loose or mounted on a metal tube. They are manufactured to drawing with the dimensions and materials required for the application.

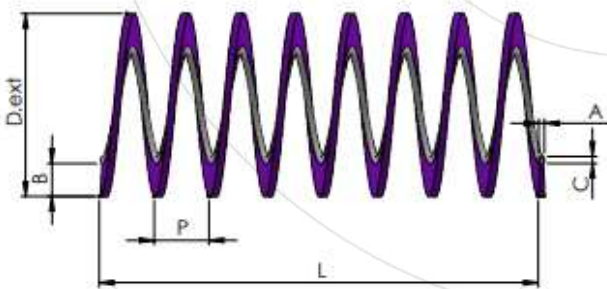
Measures

- Spiral pitch: P
- Brush length L
- Fibre output: S
- Body dimensions AxB
- Length (min. 100 mm, max. 2000 mm)

Fibres to be defined

- Synthetics: PPN, PPL, PA6
- PA6 Food use
- Natural: Tampico, Horsehair
- Wires: Stainless steel, brass-plated steel, carbon steel

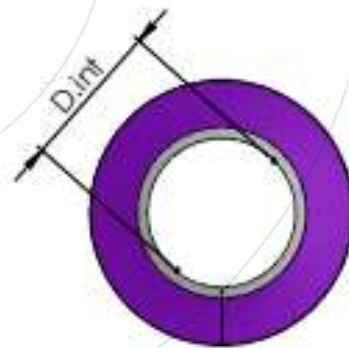
Standard outer spiral strip brush



Sacema

Propellers outwards

- Dint (min. 5- max. 400 mm)
- Dext (min. 17- max. 600 mm)



See the update
of the Spiral Strip
Brush



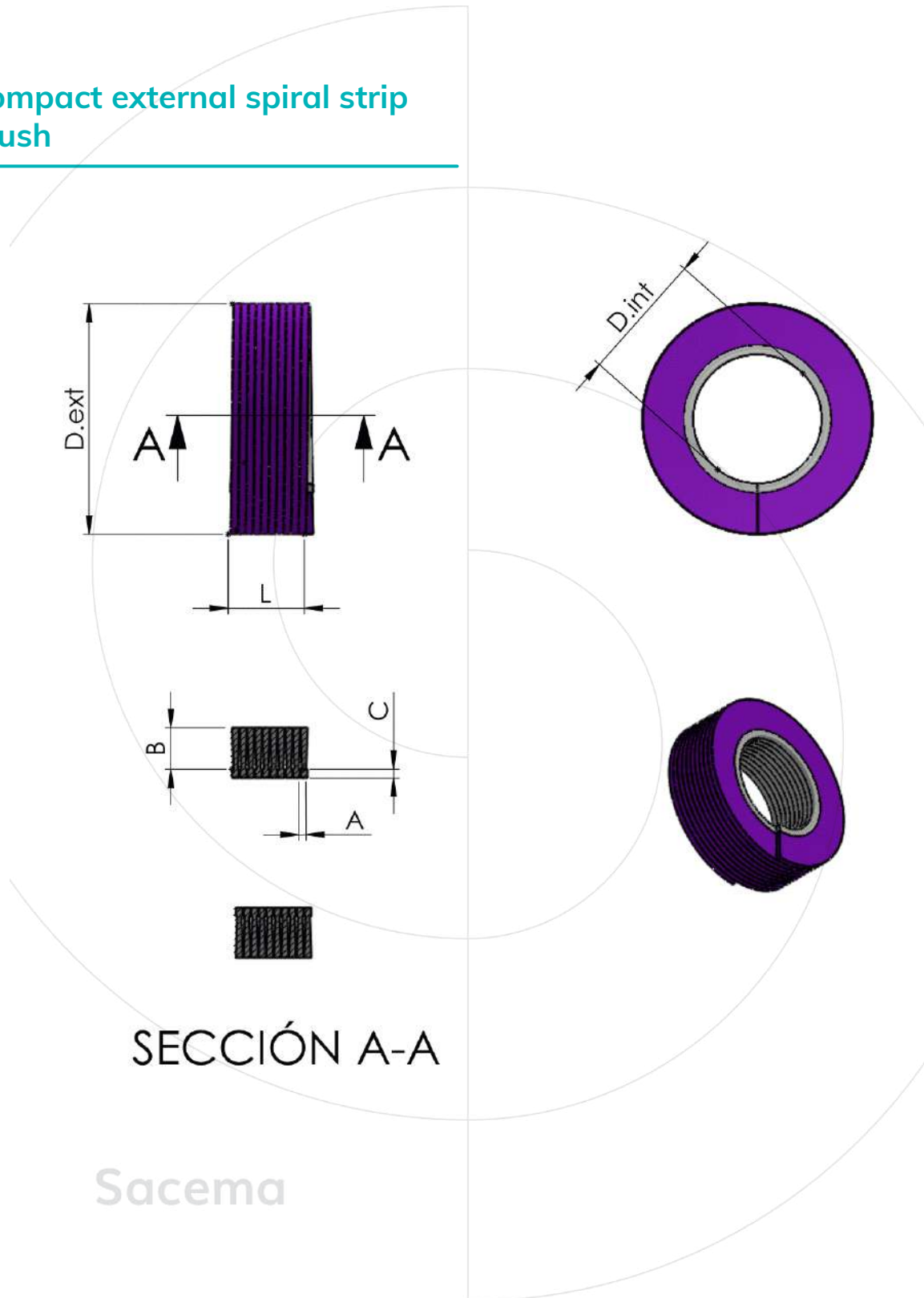
Last update: 31 May 2021

*These documents are the exclusive property of Cepillos Sacema, S.L. Their total or partial reproduction without our written authorisation is forbidden, as well as their improper use and/or exhibition to third parties.



SPIRAL STRIP BRUSHES

Compact external spiral strip brush



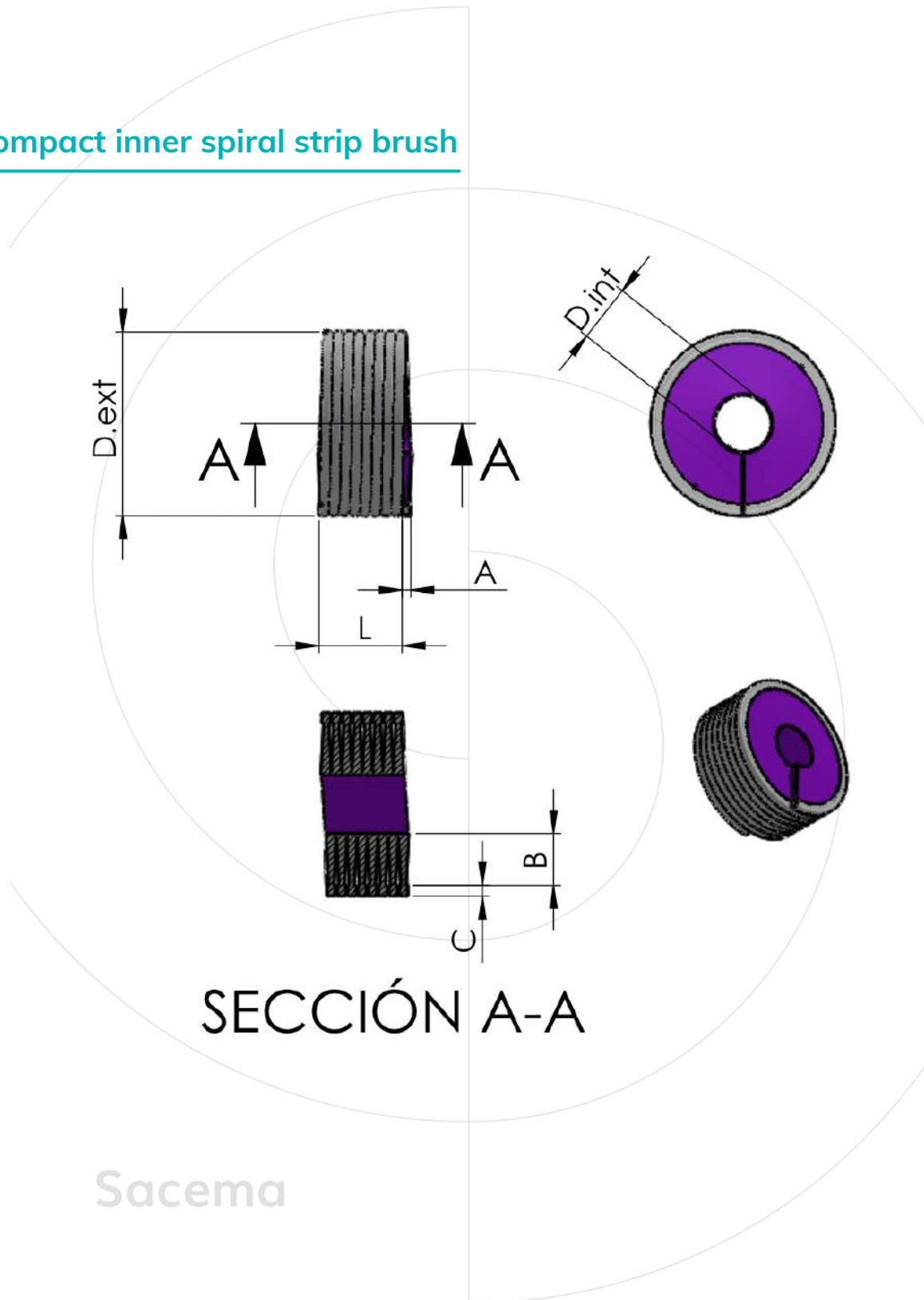
Last update: 31 May 2021

*These documents are the exclusive property of Cepillos Sacema, S.L. Their total or partial reproduction without our written authorisation is forbidden, as well as their improper use and/or exhibition to third parties.



SPIRAL STRIP BRUSHES

Compact inner spiral strip brush



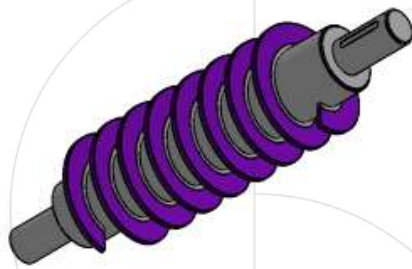
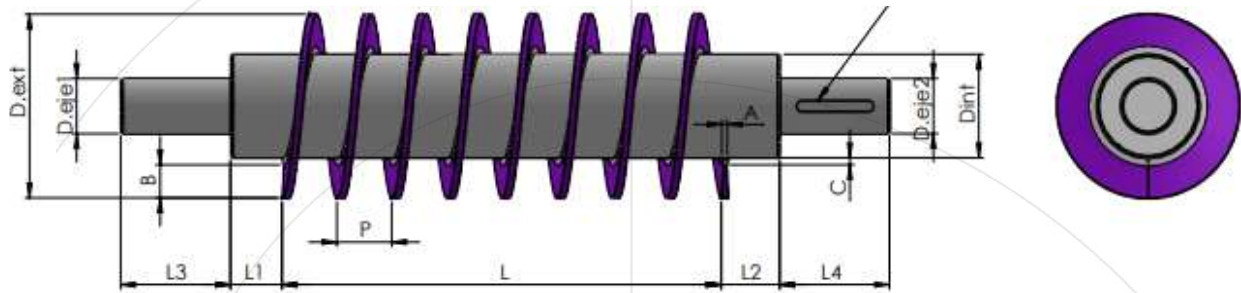
Last update: 31 May 2021

*These documents are the exclusive property of Cepillos Sacema, S.L. Their total or partial reproduction without our written authorisation is forbidden, as well as their improper use and/or exhibition to third parties.

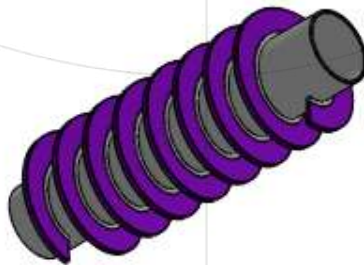
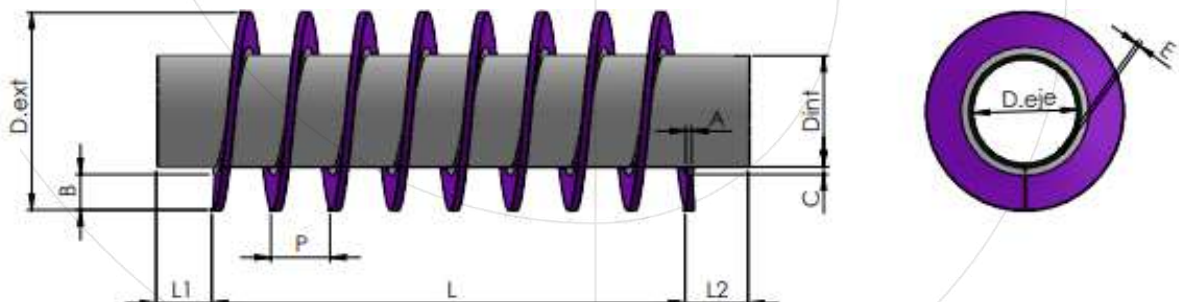


SPIRAL STRIP BRUSHES

Standard outer spiral strip brush on shaft



Standard external spiral strip brush on tube



Sacema

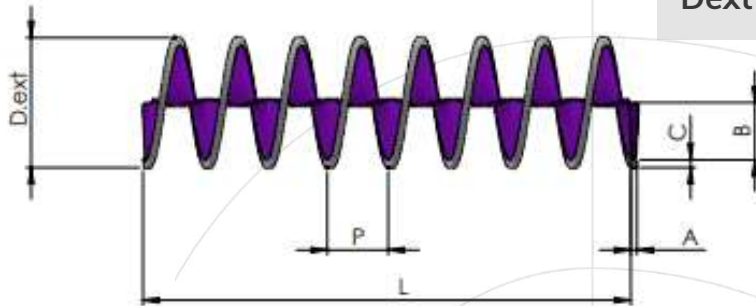
Last update: 31 May 2021

*These documents are the exclusive property of Cepillos Sacema, S.L. Their total or partial reproduction without our written authorisation is forbidden, as well as their improper use and/or exhibition to third parties.



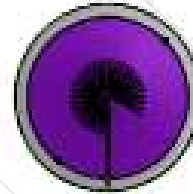
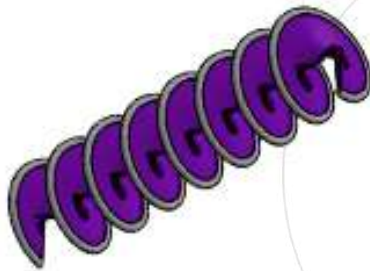
SPIRAL STRIP BRUSHES

Closed inner spiral strip brush

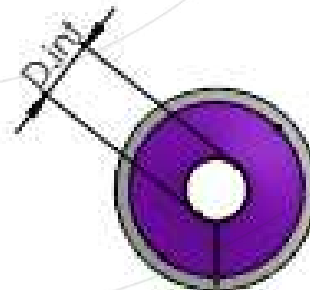
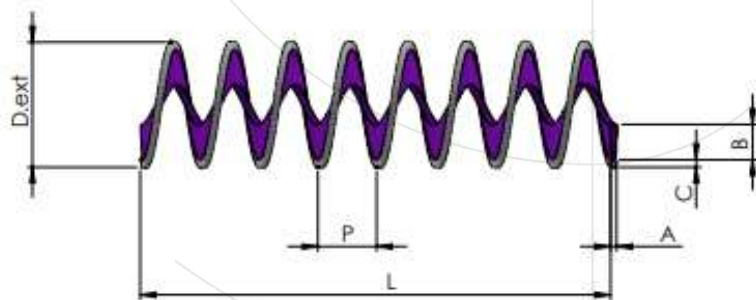


Propellers inwards

Dint of inner hole (min. 0 mm)
Dext (min. 200 mm)



Standard inner spiral strip brush



Last update: 31 May 2021

*These documents are the exclusive property of Cepillos Sacema, S.L. Their total or partial reproduction without our written authorisation is forbidden, as well as their improper use and/or exhibition to third parties.